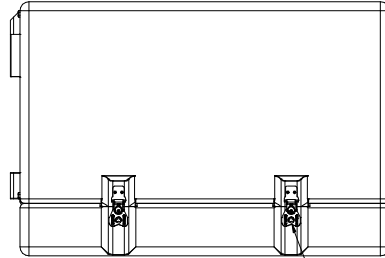


9 8 7 6 5 4 3 2 1

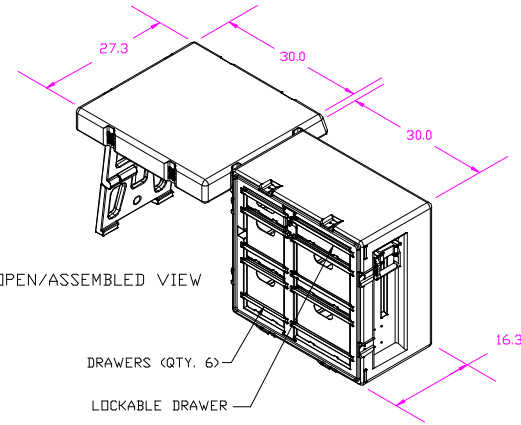
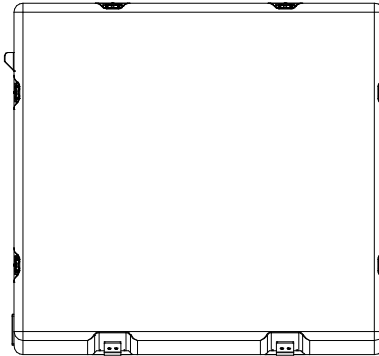
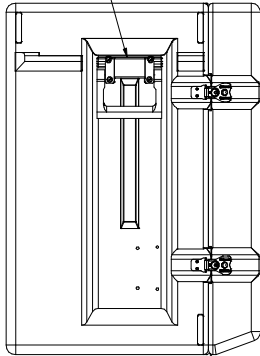
**** ALTERNATIVE HARDWARE IS AVAILABLE FOR " **" ITEMS.**

COLOR	HARDIGG COLOR#
GREY	GRY-133
OLIVE DRAB	OD-137
FOREST GREEN	GRN-138
TAN	TAN-250



CATCH & STRIKE **

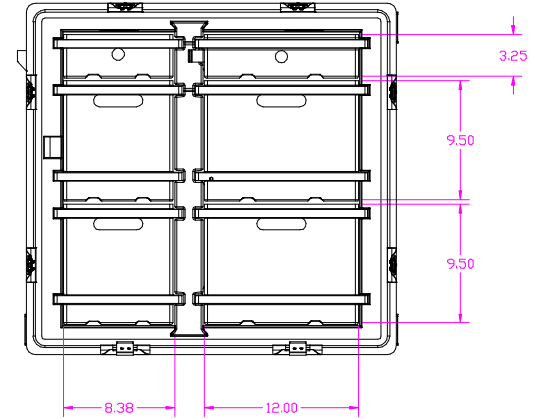
PLASTIC HANDLES



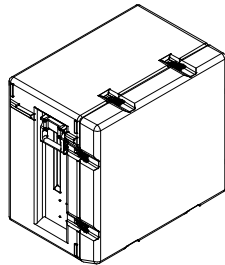
OPEN/ASSEMBLED VIEW

DRAWERS (QTY. 6)

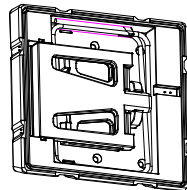
LOCKABLE DRAWER



VIEW SHOWING DRAWER INSIDE DIMENSIONS
ALL DRAWERS ARE 13.50 INCHES DEEP



CLOSED/PACKED VIEW



VIEW SHOWING DESK LEG STORAGE
AND FOLDING CHAIR STORED IN LID

NOTE:
This drawing represents Hardigg's standard hardware and markings placed in standard locations. Alternative configurations are available upon request. If custom options or locations are required, Hardigg must quote separately.

STANDARD CONFIGURABLE CASE

This drawing and all copies of the design and data shown are the property of HARDIGG INDUSTRIES, INC. So. Deerfield, MA U.S.A. and include proprietary information. The borrower, by receipt or retention of the drawing agrees that, except as expressly authorized in writing by HARDIGG INDUSTRIES, INC. it will not use the drawing or any copy of the design or data shown to not reproduce, copy, excerpt, exhibit or distribute the drawing or any copy for use by others and (3) upon demand return the drawing, all copies and all material copies therefrom.

DIMENSIONS (REFERENCE ONLY)	INSIDE		OUTSIDE	
	INCH	MM	INCH	MM
LENGTH (LEFT TO RIGHT)	N/A	N/A	30.75	781
WIDTH (FRONT TO BACK)	N/A	N/A	20.62	524
HEIGHT	N/A	N/A	28.50	724
BASE HEIGHT	N/A	N/A	WEIGHT	
LID HEIGHT	N/A	N/A	74 LBS	33.6kg

HI HARDIGG	HARDIGG® CASES A Division of HARDIGG® INDUSTRIES, INC. South Deerfield, Massachusetts 01373 USA	
	TITLE DEPLOYABLE FIELD DESK	CAGE CODE 11214
DWG NO. 472-FLD-DESK	REV. -	
DR. LABRIE	DATE 00DEC05	SCALE N/A
	SHEET 1	OF 1

E
D
C
B
A