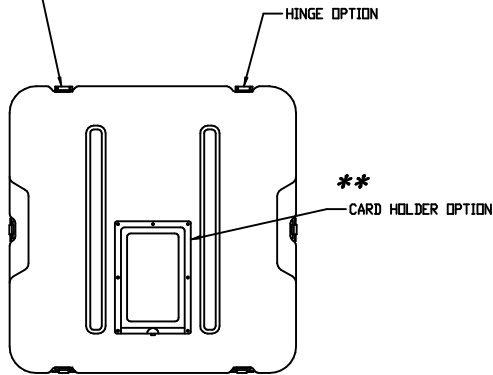
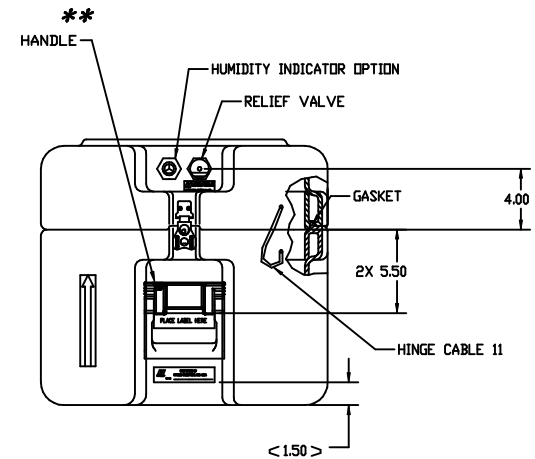
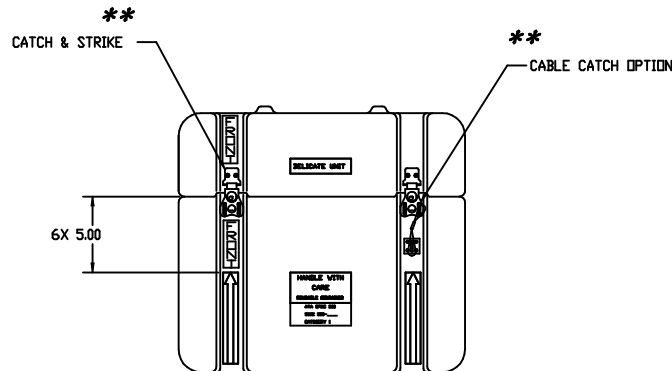
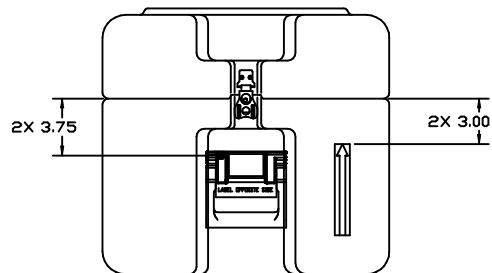


ON ALL CATCH CONTAINER LOCATE  
2ND LOCKING DEVICE HERE



DIMENSIONS (FOR REFERENCE ONLY)	INCH	MM
OVERALL LENGTH (LEFT TO RIGHT)	18.75	476.2
OVERALL WIDTH (FRONT TO BACK)	18.88	479.5
OVERALL HEIGHT	16.69	423.9
INSIDE LENGTH (LEFT TO RIGHT)	15.75	400.0
INSIDE WIDTH (FRONT TO BACK)	15.88	403.3
INSIDE HEIGHT	14.99	380.7
INSIDE BASE HEIGHT	9.87	250.6
INSIDE LID HEIGHT	5.12	130.0

\*\* ALTERNATIVE HARDWARE IS  
AVAILABLE FOR "\*\*" ITEMS.



NOTE:  
THIS DRAWING REPRESENTS HARDIGG'S STANDARD CASE OPTIONS,  
LOCATED IN STANDARD LOCATIONS. IF ALTERNATIVE OPTIONS OR  
LOCATIONS ARE REQUIRED, HARDIGG MUST QUOTE SEPARATELY.

<b>HARDIGG INDUSTRIES, INC.</b> <small>1616 BEEFIELD, HANNOVER, NH 03040</small>		THIS DRAWING AND ALL COPIES AND THE DESIGN AND DATA SHOWN ARE THE PROPERTY OF HARDIGG INDUSTRIES, INC. SO BEEFIELD, NH, USA, AND INCLUDE PROPRIETARY INFORMATION. THE BORROWER BY RECEIPT OR RETENTION OF THE DRAWING AGREES THAT, EXCEPT AS EXPRESSLY AUTHORIZED IN WRITING BY HARDIGG INDUSTRIES, INC. IT WILL (1) NOT USE THE DRAWING OR ANY COPY OF THE DESIGN OR DATA SHOWN (2) NOT REPRODUCE, COPY, EXCEPT, EXHIBIT OR DIS- TRIBUTE THE DRAWING OR ANY COPY FOR USE BY OTHERS AND (3) UPON DEMAND RETURN THE DRAWING AND ALL COPIES AND MATERIAL COPIED THEREFROM.
TITLE - STANDARD CONFIGURABLE CASE		
CASE 11214	DWG. NO. 1616-1005	
REV. DRAWN BY: - D. BOUSMET	DATE 07NOV98	SHEET 1 OF 1