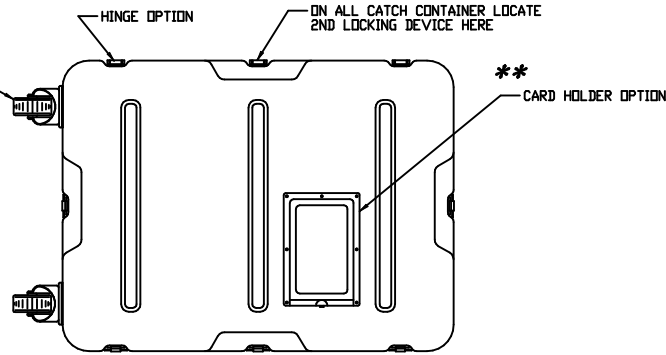
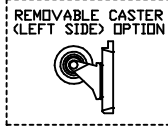
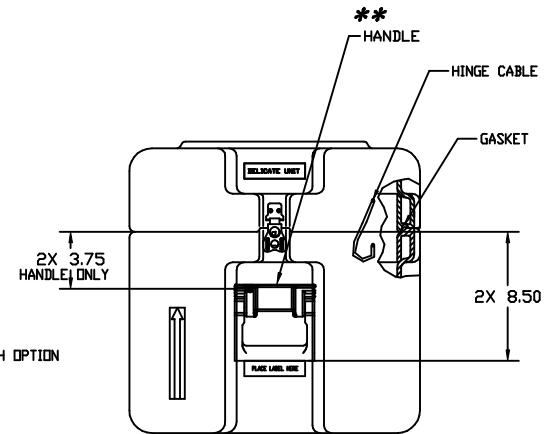
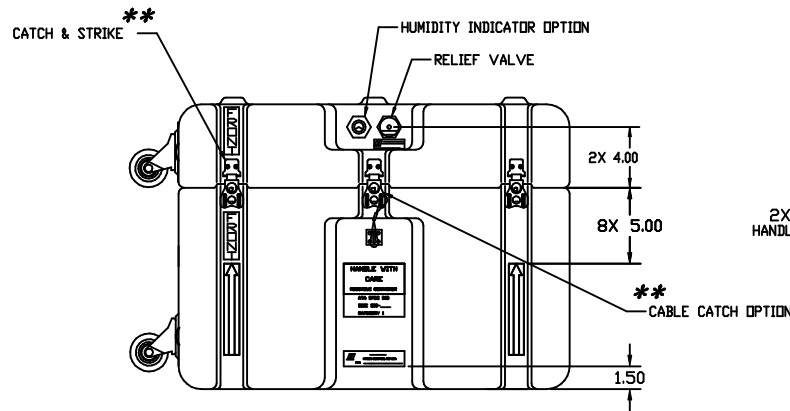
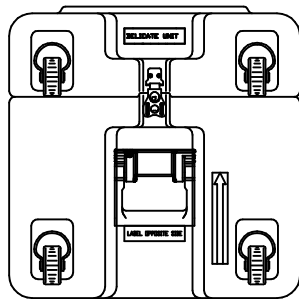


FIXED CASTER
(LEFT SIDE) OPTION



DIMENSIONS (FOR REFERENCE ONLY)		INCH	MM
OVERALL	LENGTH (LEFT TO RIGHT)	25.00	635
OVERALL	WIDTH (FRONT TO BACK)	19.00	482.6
OVERALL	HEIGHT	19.19	487.4
INSIDE	LENGTH (LEFT TO RIGHT)	22.00	558.8
INSIDE	WIDTH (FRONT TO BACK)	16.00	406.4
INSIDE	HEIGHT	17.50	444.5
INSIDE	BASE HEIGHT	12.25	311.2
INSIDE	LID HEIGHT	5.25	133.4

** ALTERNATIVE HARDWARE IS
AVAILABLE FOR "**" ITEMS.



NOTE:
THIS DRAWING REPRESENTS HARDIGG'S STANDARD CASE OPTIONS,
LOCATED IN STANDARD LOCATIONS. IF ALTERNATIVE OPTIONS OR
LOCATIONS ARE REQUIRED, HARDIGG MUST QUOTE SEPARATELY.

CASTER OPTION - CONTAINER BOTTOM
REMOVABLE STYLE ONLY



(MAKES CONTAINER NON-STACKABLE)

HARDIGG INDUSTRIES, INC. <small>10000 BIRDFIELD, WASHINGTON 98007</small>		<small>THIS DRAWING AND ALL COPIES AND THE DESIGN AND DATA SHOWN ARE THE PROPERTY OF HARDIGG INDUSTRIES, INC. SO IDENTIFIED IN USA AND INCLUDE PROPRIETARY INFORMATION. THE BORROWER BY RECEIPT OR RETENTION OF THE DRAWING AGREES THAT, EXCEPT AS EXPRESSLY AUTHORIZED IN WRITING BY HARDIGG INDUSTRIES, INC. IT WILL NOT USE THE DRAWING OR ANY COPY OF THE DESIGN OR DATA SHOWN OR NOT REPRODUCE, COPY, EXCEPT, EXHIBIT OR DISTRIBUTION THE DRAWING OR ANY COPY FOR USE BY OTHERS AND UPON DEMAND RETURN THE DRAWING AND ALL COPIES AND MATERIAL COPIED THEREFROM.</small>
TITLE STANDARD CONFIGURABLE CASE		
CASE NO. 11214	DWG. NO. 2216-1205	
REV. A	DATE 92-11-21	SHEET 1 OF 1