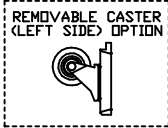


FIXED CASTER
(LEFT SIDE) OPTION



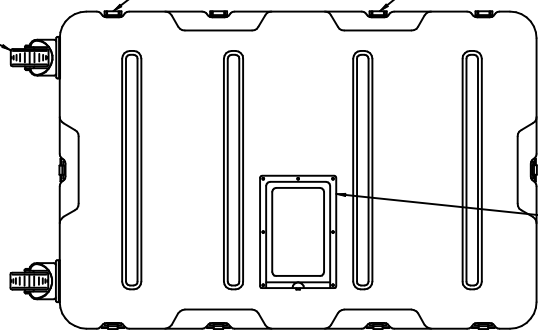
EDGE CASTER OPTION
P21-1307



(LEFT SIDE OF CASE)

ON ALL CATCH CONTAINER LOCATE
2ND LOCKING DEVICE HERE

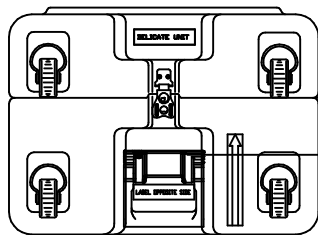
HINGE OPTION



**
CARD HOLDER OPTION

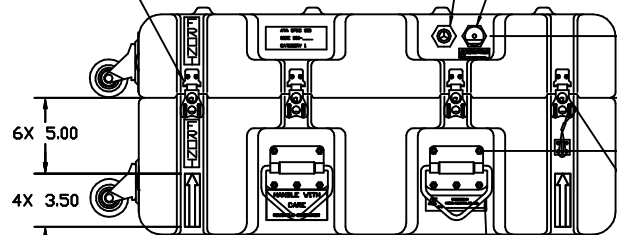
DIMENSIONS (FOR REFERENCE ONLY)	INCH	MM
OVERALL LENGTH (LEFT TO RIGHT)	31.12	790.4
OVERALL WIDTH (FRONT TO BACK)	21.12	536.4
OVERALL HEIGHT	15.43	391.9
INSIDE LENGTH (LEFT TO RIGHT)	28.12	714.2
INSIDE WIDTH (FRONT TO BACK)	18.12	460.2
INSIDE HEIGHT	13.24	336.3
INSIDE BASE HEIGHT	8.12	206.2
INSIDE LID HEIGHT	5.12	130

** ALTERNATIVE HARDWARE IS
AVAILABLE FOR "**" ITEMS.



2X 3.75
HANDLE ONLY

**
CATCH & STRIKE



HUMIDITY INDICATOR OPTION

RELIEF VALVE

2X 4.00

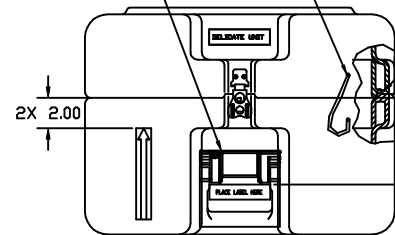
3.50

CABLE CATCH OPTION

**

LIFTING RING OPTION

**
HANDLE



HINGE CABLE

GASKET

2X 2.00

4X 5.71

NOTE:
THIS DRAWING REPRESENTS HARDIGG'S STANDARD CASE OPTIONS,
LOCATED IN STANDARD LOCATIONS. IF ALTERNATIVE OPTIONS OR
LOCATIONS ARE REQUIRED, HARDIGG MUST QUOTE SEPARATELY.

HARDIGG INDUSTRIES, INC. <small>SOUTH BOSTONFIELD, MASSACHUSETTS 02125</small>		<small>THIS DRAWING AND ALL COPIES AND THE DESIGN AND DATA SHOWN ARE THE PROPERTY OF HARDIGG INDUSTRIES, INC. SOUTH BOSTONFIELD, MA, USA AND INCLUDE PROPRIETARY INFORMATION. THE BORROWER BY RECEIPT OR RETENTION OF THE DRAWING AGREES THAT, EXCEPT AS EXPRESSLY AUTHORIZED IN WRITING BY HARDIGG INDUSTRIES, INC. IT WILL NOT USE THE DRAWING OR ANY COPY OF THE DESIGN OR DATA SHOWN (2) NOT REPRODUCE, COPY, EXCEPT, EXHIBIT OR DISTRIBUTE THE DRAWING OR ANY COPY FOR USE BY OTHERS AND (3) UPON DEMAND RETURN THE DRAWING AND ALL COPIES AND MATERIAL COPIED THEREFROM.</small>	
TITLE STANDARD CONFIGURABLE CASE			
DWG. NO. 2818-0805	DATE 93-03-27	SHEET 1 OF 1	REV. A
DRWN BY K CHASE	DATE 93-03-27	SHEET 1 OF 1	REV. A