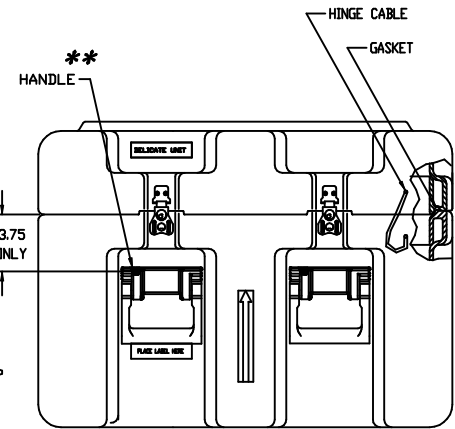
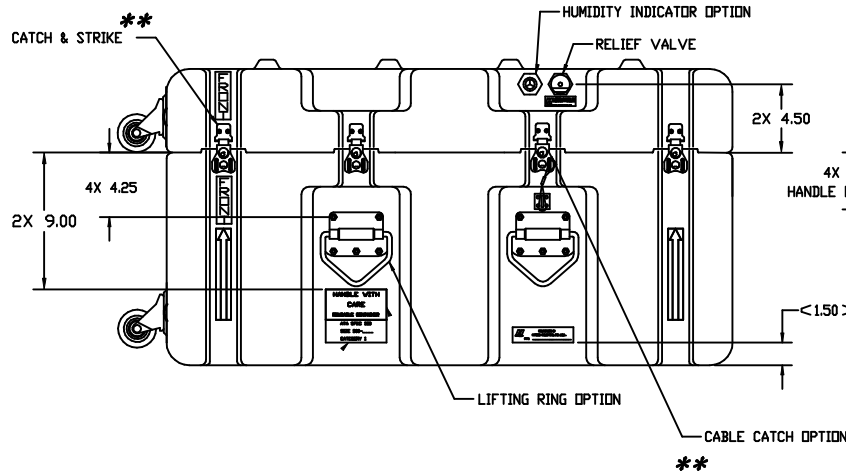
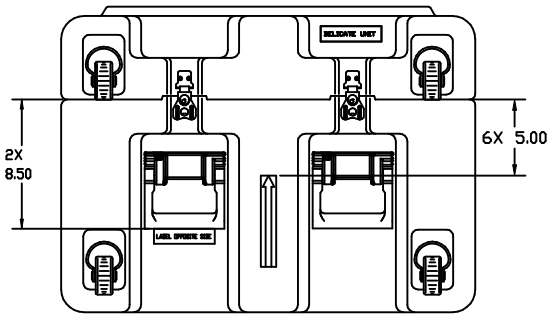
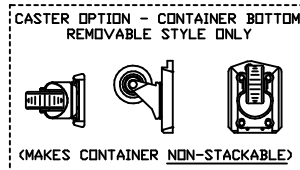


DIMENSIONS (FOR REFERENCE ONLY)	INCH	MM
OVERALL LENGTH (LEFT TO RIGHT)	37.25	946.2
OVERALL WIDTH (FRONT TO BACK)	27.18	690.4
OVERALL HEIGHT	19.44	493.8
INSIDE LENGTH (LEFT TO RIGHT)	34.25	870
INSIDE WIDTH (FRONT TO BACK)	24.18	614.2
INSIDE HEIGHT	17.25	438.2
INSIDE BASE HEIGHT	12.00	304.8
INSIDE LID HEIGHT	5.25	133.4

** ALTERNATIVE HARDWARE IS AVAILABLE FOR "**" ITEMS.



NOTE:
THIS DRAWING REPRESENTS HARDIGG'S STANDARD CASE OPTIONS, LOCATED IN STANDARD LOCATIONS. IF ALTERNATIVE OPTIONS OR LOCATIONS ARE REQUIRED, HARDIGG MUST QUOTE SEPERATELY.



HARDIGG INDUSTRIES, INC. <small>1000 BEECHFIELD, WILMINGTON, DE 19810</small>		THIS DRAWING AND ALL COPIES AND THE DESIGN AND DATA SHOWN ARE THE PROPERTY OF HARDIGG INDUSTRIES, INC. SO. BEECHFIELD, PA, USA AND INCLUDE PROPRIETARY INFORMATION. THE BORROWER BY RECEIPT OR RETENTION OF THIS DRAWING AGREES THAT, EXCEPT AS EXPRESSLY AUTHORIZED IN WRITING BY HARDIGG INDUSTRIES, INC. IT WILL NOT USE THE DRAWING OR ANY COPY OF THE DESIGN OR DATA SHOWN (2) NOT REPRODUCE, COPY, EXCEPT, EXHIBIT OR DISTRIBUTE THE DRAWING OR ANY COPY FOR USE BY OTHERS AND (3) UPON DEMAND RETURN THE DRAWING AND ALL COPIES AND MATERIAL COPIED THEREFROM.
TITLE - STANDARD CONFIGURABLE CASE		
CASE 11214	DWG. NO. 3424-1205	
REV. DRAWN BY A K CHASE	DATE 92-12-19	SHEET 1 OF 1

3424-1205