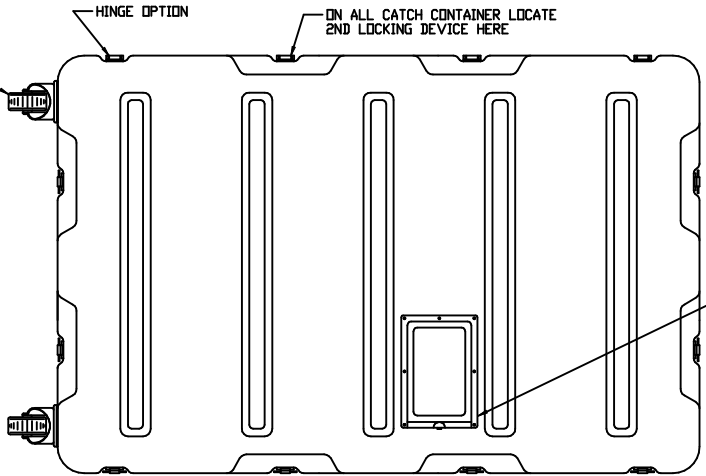


SKID RUNNER OPTION  
(STACKABLE)  
P62-1

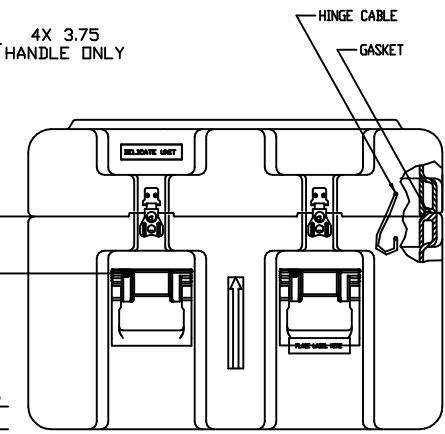
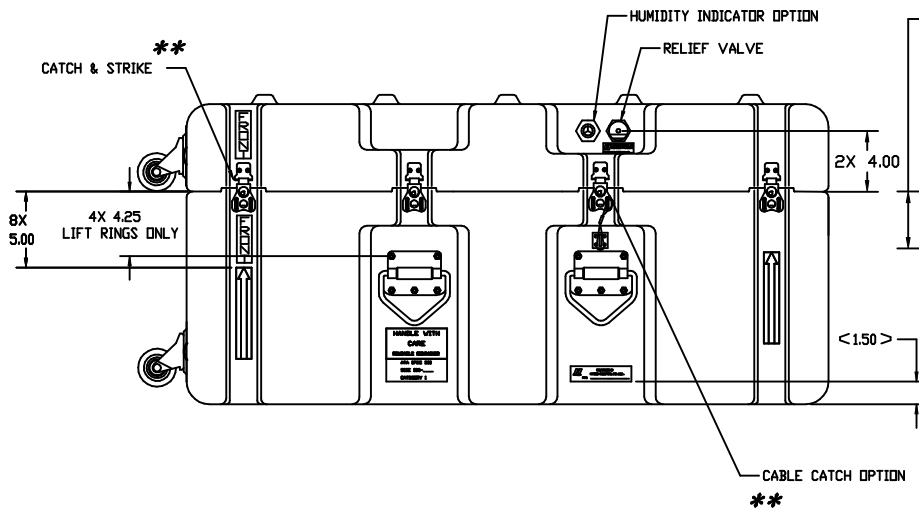
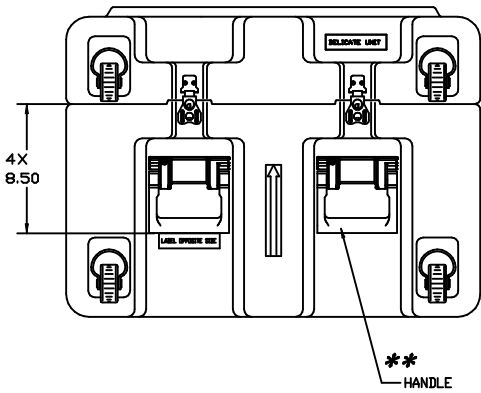
FIXED CASTER  
(LEFT SIDE) OPTION

REMOVABLE CASTER  
(LEFT SIDE) OPTION



DIMENSIONS (FOR REFERENCE ONLY)	INCH	MM
OVERALL LENGTH (LEFT TO RIGHT)	42.87	1088.9
OVERALL WIDTH (FRONT TO BACK)	27.31	693.7
OVERALL HEIGHT	20.19	512.8
INSIDE LENGTH (LEFT TO RIGHT)	39.87	1012.7
INSIDE WIDTH (FRONT TO BACK)	24.31	617.5
INSIDE HEIGHT	18.00	457.2
INSIDE BASE HEIGHT	12.75	323.9
INSIDE LID HEIGHT	5.25	133.4

\*\* ALTERNATIVE HARDWARE IS AVAILABLE FOR \*\*\* ITEMS.



CASTER OPTION - CONTAINER BOTTOM  
REMOVABLE STYLE ONLY

(MAKES CONTAINER NON-STACKABLE)

NOTE:  
THIS DRAWING REPRESENTS HARDIGG'S STANDARD CASE OPTIONS, LOCATED IN STANDARD LOCATIONS. IF ALTERNATIVE OPTIONS OR LOCATIONS ARE REQUIRED, HARDIGG MUST QUOTE SEPERATELY.

**HARDIGG INDUSTRIES, INC.**  
10000 BEEFIELD RD. BEEFIELD, PA 15005

TITLE: STANDARD CONFIGURABLE CASE

DWG. NO: 4024-1305

DATE: 92-11-14

REV. A

DRAWN BY: K CHASE

SHEET 1 OF 1

THIS DRAWING AND ALL COPIES AND THE DESIGN AND DATA SHOWN ARE THE PROPERTY OF HARDIGG INDUSTRIES, INC. SO BEEFIELD, PA, USA AND INCLUDE PROPRIETARY INFORMATION. THE BORROWER BY RECEIPT OR RETENTION OF THE DRAWING AGREES THAT, EXCEPT AS EXPRESSLY AUTHORIZED IN WRITING BY HARDIGG INDUSTRIES, INC. IT WILL NOT USE THE DRAWING OR ANY COPY OF THE DESIGN OR DATA SHOWN (2) NOT REPRODUCE, COPY, EXCEPT, EXHIBIT OR DISTRIBUTE THE DRAWING OR ANY COPY FOR USE BY OTHERS AND (3) UPON DEMAND RETURN THE DRAWING AND ALL COPIES AND MATERIAL COPIED THEREFROM.

4024-1305